

REVOLTA

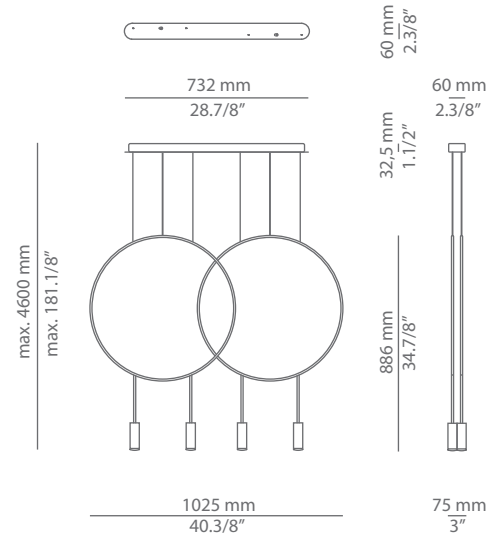
T-3635S / T-3636S


linear compositions

Date	Type
Project	
Location	
Model #	Quantity
Specifier	

Many possible configurations with T-3635C and T-3636C

Code ■ L73S.2D revolta	Composition includes 1 surface canopy 113535XX1 2 units of T-3636C 2 drivers / Dimmable Triac	Temperature ■ T-3636C-W (2700K / 725 lumens) ■ T-3636C-M (3000K / 763 lumens)		
		Canopy ■ 26 BLK Black ■ 71 WH White	Body ■ 26 BLK Black ■ 71 WH White ■ CUSTOM	Head ■ 26 BLK Black ■ 61 S GLD Satin Gold ■ 71 WH White ■ CUSTOM
		Optional Acoustic Panel ■ Add up to 2 foam panels 123636XX0X ■ Add up to 2 fabric panels 123636XX0		Finish ■ 26 BLK Black ■ 82 BL Blue ■ 83 EGP Eggplant ■ 84 SLM Salmon ■ CUSTOM



Code ■ L73R.2D revolta  Ø 50mm drill on dropped ceiling	Composition includes 1 recessed canopy 113535XX1R 2 units of T-3636C 2 drivers / Dimmable Triac	Temperature ■ T-3636C-W (2700K / 725 lumens) ■ T-3636C-M (3000K / 763 lumens)		
		Canopy ■ 26 BLK Black ■ 71 WH White	Body ■ 26 BLK Black ■ 71 WH White ■ CUSTOM	Head ■ 26 BLK Black ■ 61 S GLD Satin Gold ■ 71 WH White ■ CUSTOM
		Optional Acoustic Panel ■ Add up to 2 foam panels 123636XX0X ■ Add up to 2 fabric panels 123636XX0		Finish ■ 26 BLK Black ■ 82 BL Blue ■ 83 EGP Eggplant ■ 84 SLM Salmon ■ CUSTOM

